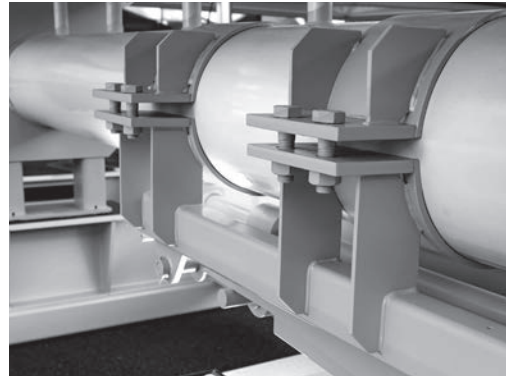
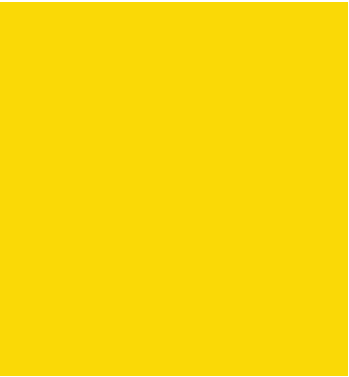


CUSTOM FABRICATED PIPE SUPPORTS



A BETTER SOLUTION

FOR PIPE SUPPORTS & UTILITY

We are eager to help, easy to work with,
and available to expedite orders.

We have a full staff of designers and project managers dedicated to work on your project. Our team can help review specifications and provide solutions for all custom applications. We weld to D1.1, ASME, and API standards and Sawyer is listed on most manufacturer's AMLs. We pride ourselves on quick turnaround that gives us a competitive edge.

Our fully equipped facility and staff of highly trained experts gives us the capability to work beyond the confines of a traditional product catalog.

PIPE SUPPORTS
PIPE CLAMPS
SHIM BLOCKS
FLANGE SUPPORTS
ELBOW SUPPORTS
PIPE STANDS
PIPE SHOES
DUMMY LEGS
LIFTING LUGS
PLATFORMS
POISON PADS
RE-PADS
WEAR PADS
METAL FABRICATION
STRUCTURAL WELD
SKIDS
STAIRWAYS



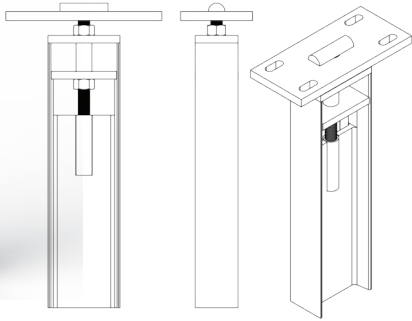
SAWYER
PIPE SUPPORTS

7799 S. Regency Drive
Tulsa, OK 74131

918-834-2550

sawyersupports.com



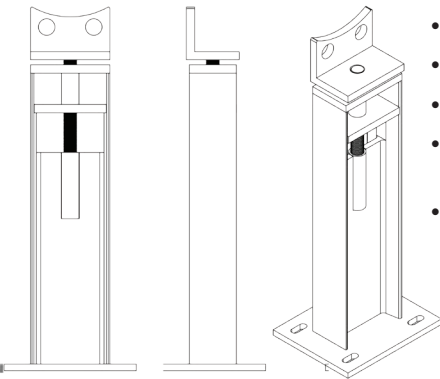


ADJUSTABLE PIPE STAND

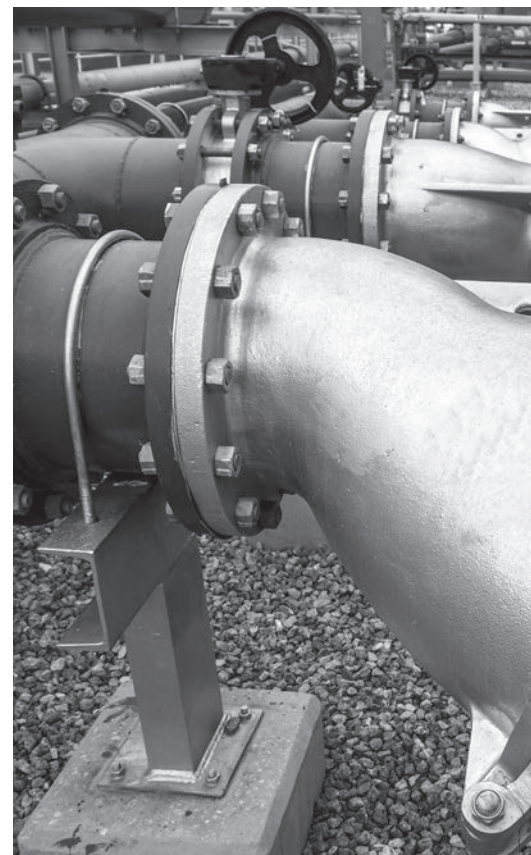
- Standard sizes 2" - 54" pipe
- Custom adjustment dimensions
- Custom design, material, and application available
- Available with multiple head options: pipe, valve, flange, elbow
- All materials available in different grades of steel and alloys
- Coatings: galvanized, paint, uncoated



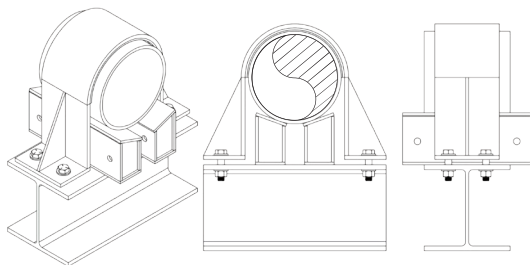
ADJUSTABLE FLANGE SUPPORT



- Available in all ANSI and custom diameters and sizes
- Available for alloy applications
- Custom designs available
- Permanent and temporary supports
- Precisely designed and fabricated for ease of use and guaranteed fit
- Bolt on, weld on and temporary applications



ADJUSTABLE PIPE CLAMP with Shims



- Available in standard sizes
- Shim block adjustable supports available with custom lining
- Adjustable to meet any spec
- Custom design, material, and application

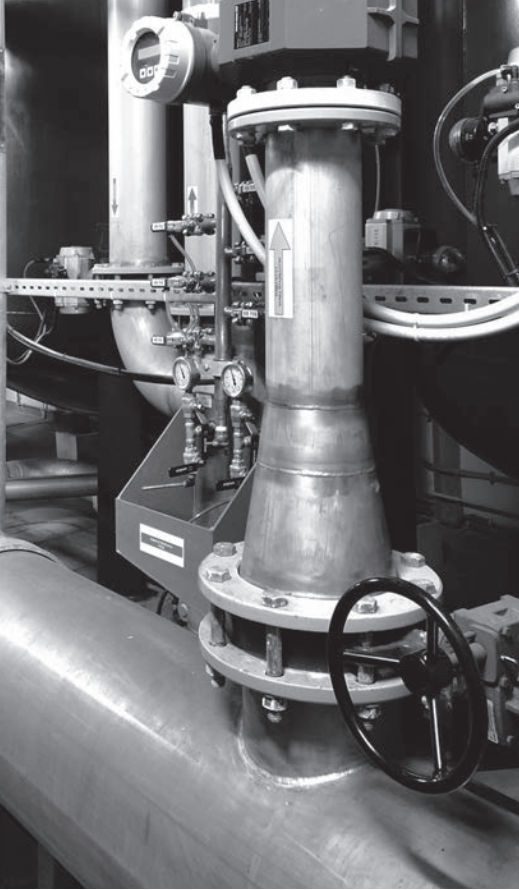
CUSTOM BUILT PIPE SUPPORTS TO MEET SPECIFICATIONS



SAWYER
PIPE SUPPORTS

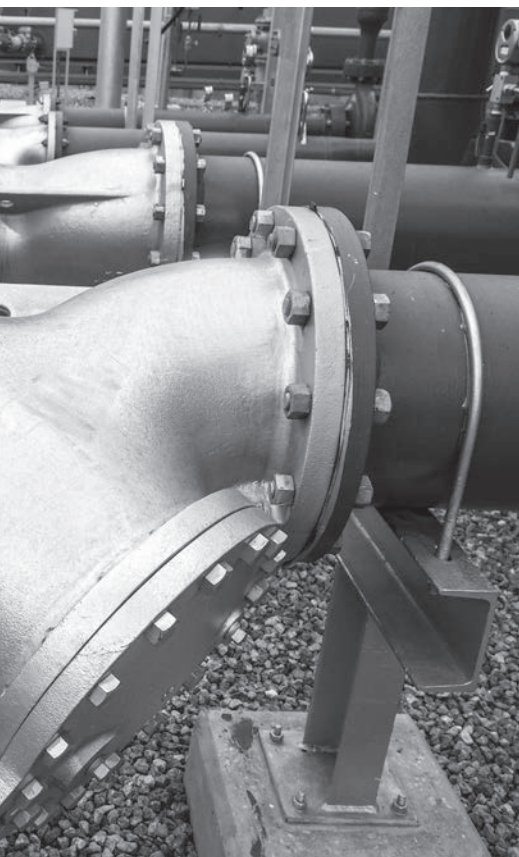
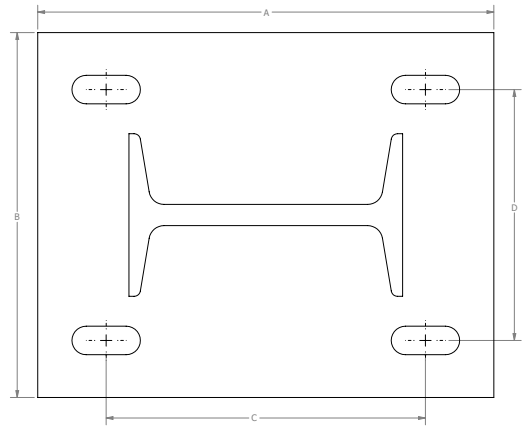
7799 S. Regency Drive
Tulsa, OK 74131





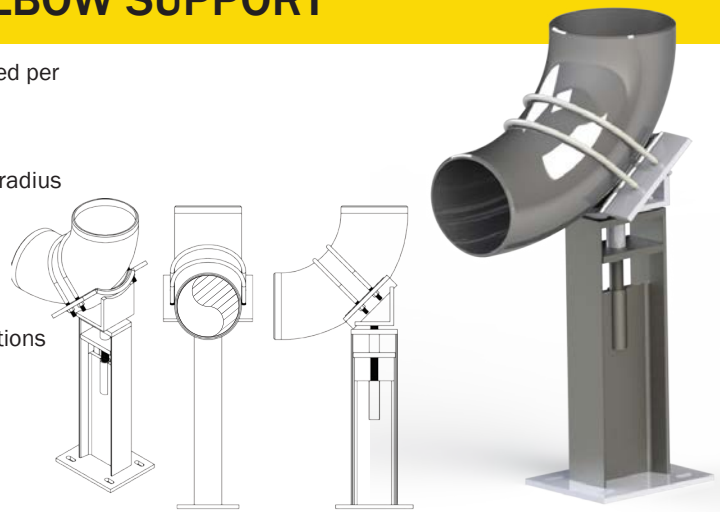
ADJUSTABLE PIPE STAND - BASE PLATE

- Base Plates are sized per customer specifications
- Standard sizes for 2" - 36" pipe



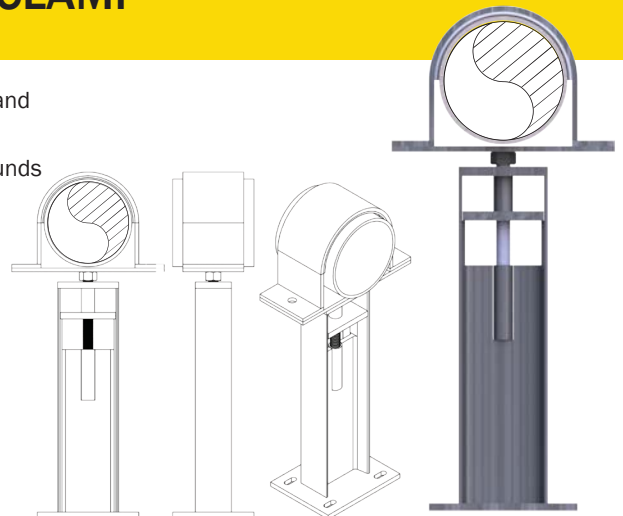
ADJUSTABLE ELBOW SUPPORT

- These rigid supports are sized per customer specifications
- Standard sizes 2" - 28" pipe
- Available for long and short radius
- Available for 45° Elbows
- Custom diameter bends
- Stationary and adjustable
- Bolt on and weld on applications



ADJUSTABLE PIPE CLAMP without Shims

- Available in all standard pipe sizes and custom size
- Offers standard and custom half rounds
- Custom neoprene padding
- Adjustable clamps designed for any custom application
- Adjustable to meet any spec



CONTACT US FOR A QUOTE OR ADDITIONAL INFORMATION



918-834-2550
sawyersupports.com

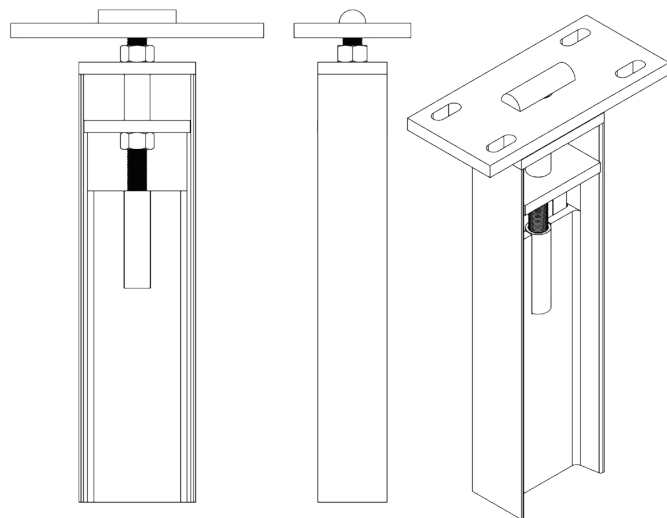
Sawyer Fabrication
sawyerfab.com





ADJUSTABLE PIPE STAND

- Standard sizes 2" - 54" pipe
- Available with custom adjustment dimensions
- Custom design, material, and application available
- Available for special applications
- Easy installation, maintenance, and inspection
- Available with multiple head options: pipe, valve, flange, elbow
- All materials available in different grades of steel and alloys
- Coatings: galvanized, paint, uncoated



CONTACT US FOR A QUOTE OR ADDITIONAL INFORMATION



918-834-2550
sawyersupports.com

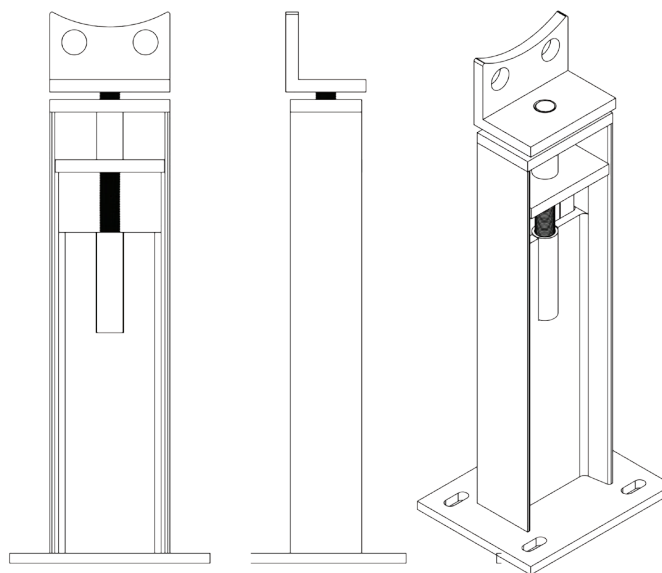
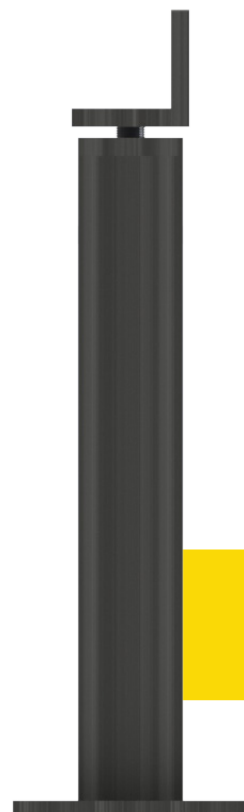
Sawyer Fabrication
sawyerfab.com





ADJUSTABLE FLANGE SUPPORT

- Available in all ANSI and custom diameters and sizes
- Available for alloy applications
- Custom designs available
- Permanent and temporary supports
- Precisely designed and fabricated for ease of use and guaranteed fit
- Bolt on, weld on and temporary applications
- Easy installation, maintenance, and inspection
- All materials available in different grades of steel and alloys
- Coatings: galvanized, paint, uncoated



CONTACT US FOR A QUOTE OR ADDITIONAL INFORMATION

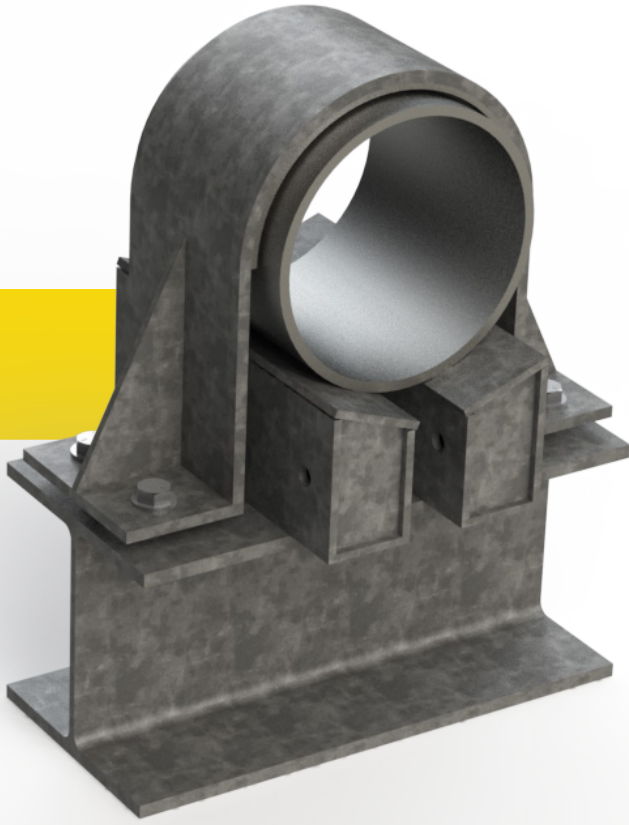


918-834-2550
sawyersupports.com

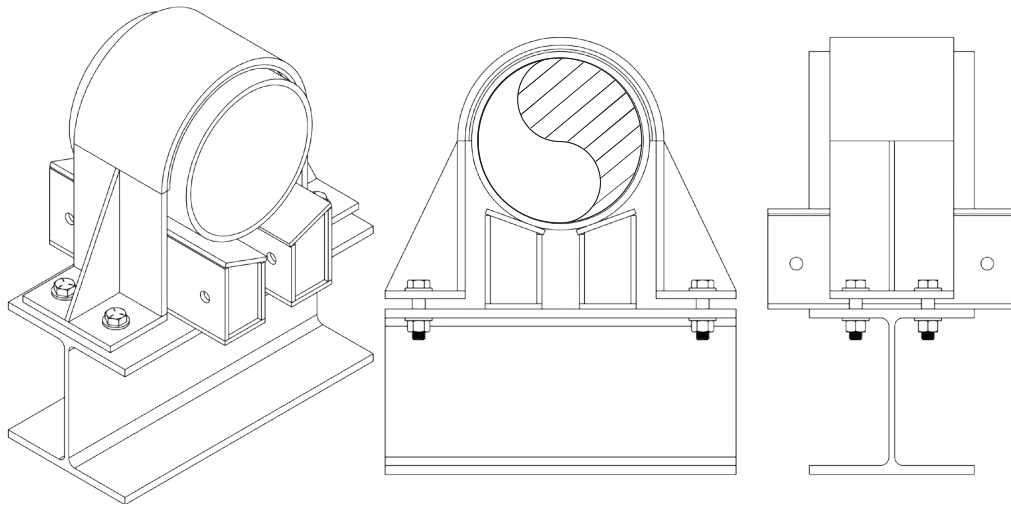
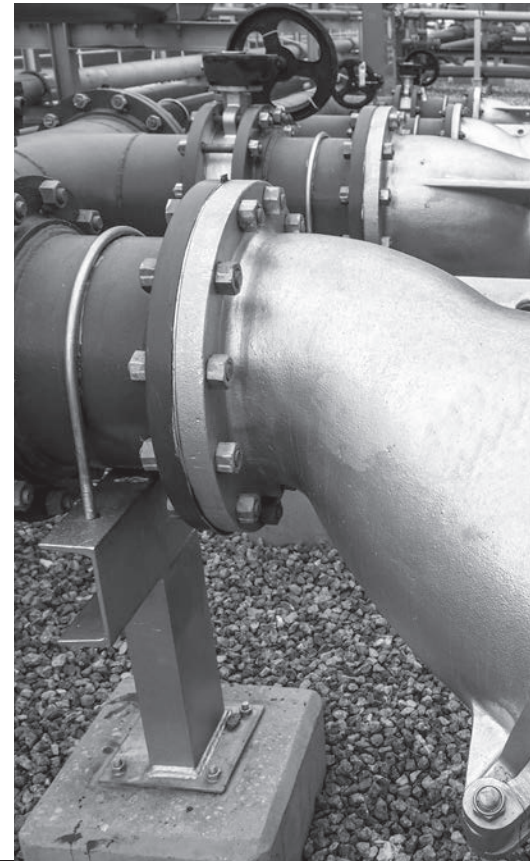
Sawyer Fabrication
sawyerfab.com



ADJUSTABLE PIPE CLAMP with Shims



- Available in standard sizes
- Shim block adjustable supports available with custom lining
- Adjustable to meet any spec
- Custom design, material, and application available
- Easy installation, maintenance, and inspection
- All materials available in different grades of steel and alloys
- Coatings: galvanized, paint, uncoated



CUSTOM BUILT PIPE SUPPORTS TO MEET SPECIFICATIONS



SAWYER
PIPE SUPPORTS

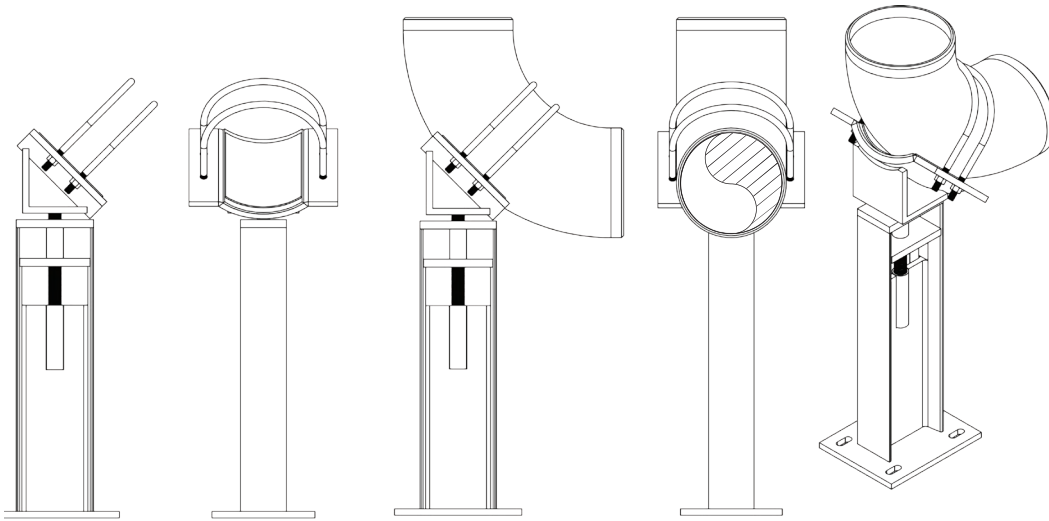
7799 S. Regency Drive
Tulsa, OK 74131



ADJUSTABLE ELBOW SUPPORT



- These rigid supports are sized per customer specifications
- Standard sizes 2" - 28" pipe
- Available for long and short radius
- Available for 45° Elbows
- Custom diameter bends
- Stationary and adjustable
- Bolt on and weld on applications
- Custom design, material, and application available
- Specific applications
- Easy installation, maintenance, and inspection
- All materials available in different grades of steel and alloys
- Coatings: galvanized, paint, uncoated



CUSTOM BUILT PIPE SUPPORTS TO MEET SPECIFICATIONS



SAWYER
PIPE SUPPORTS

7799 S. Regency Drive
Tulsa, OK 74131





A Division of Sawyer Mfg. Company
7799 S. Regency Drive
Tulsa, OK 74131



918-834-2550
sawyersupports.com